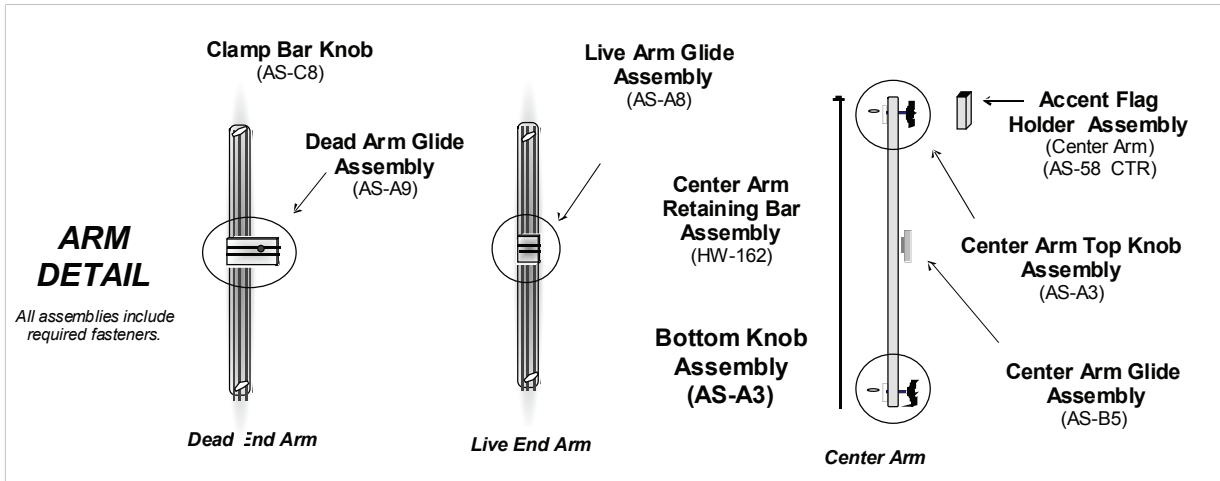
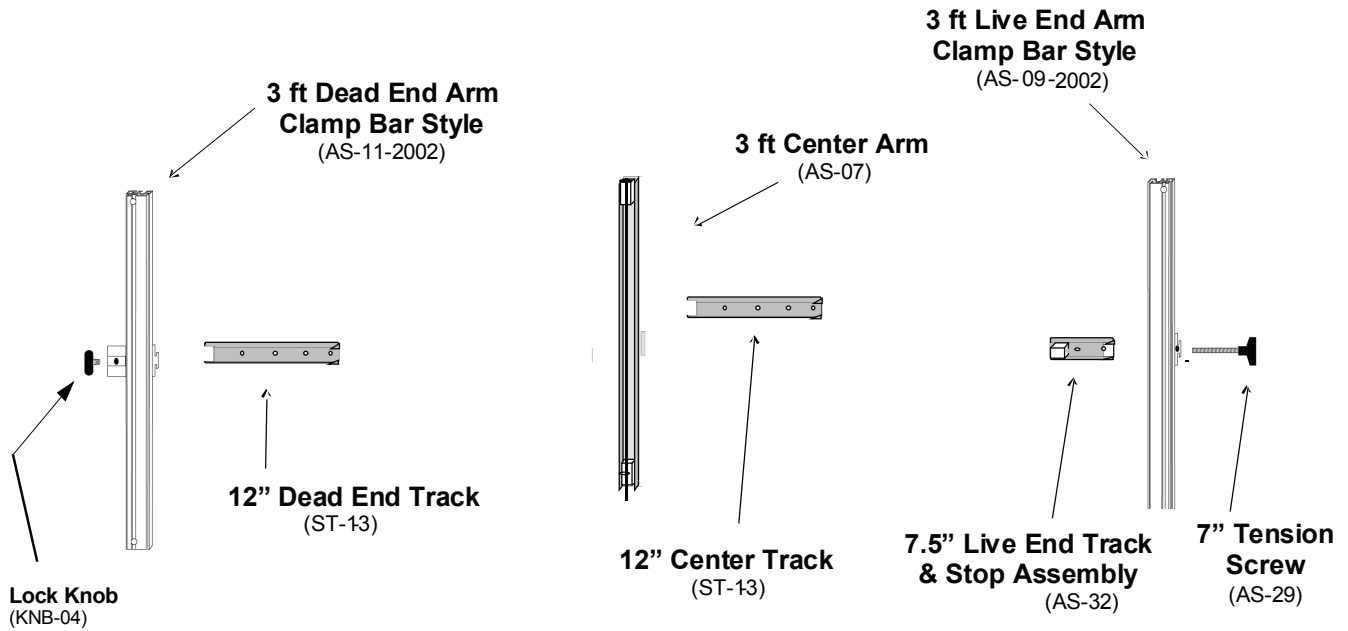


FLAT WALL HANGTIGHT BANNER FRAME

3 x 12-20 FT MODEL - *Clamp Bar Style*

Replacement Parts Guide



Copyright 2008 Voxpop, Inc.
Patents Pending
Rev 02/06
EXP-HNG3x12-20-CL

Replacement Mounting Screws

For fastening tracks to wood surfaces
(BAG-07)

For fasteners for other surfaces, call
Voxpop Customer Service for
recommendations.

To Order Call Toll-Free 1-800-386-9767
FAX: 410-641-1092 Int'l 410-641-1090 www.voxpopms.com