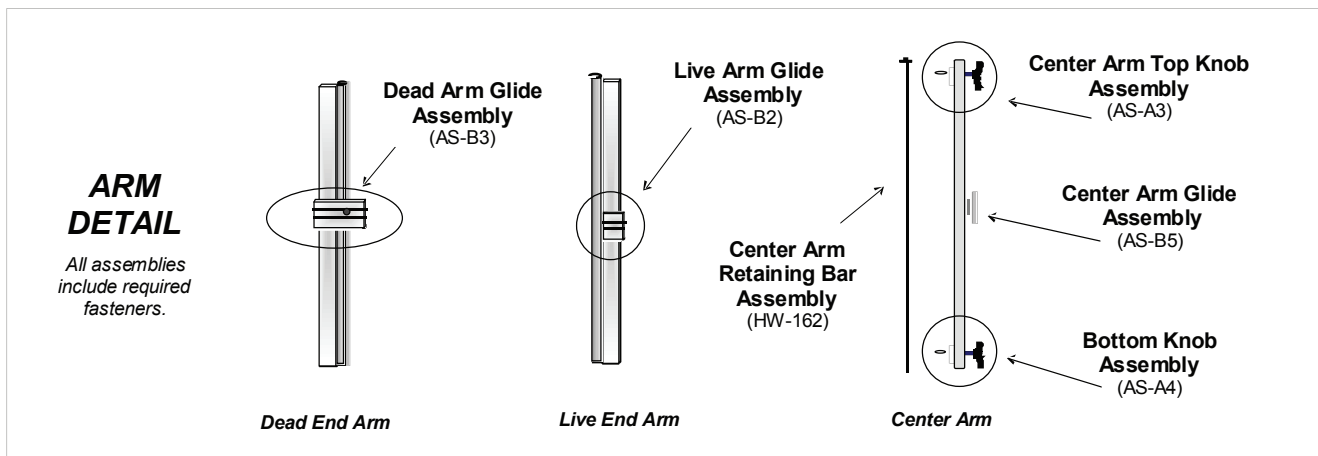
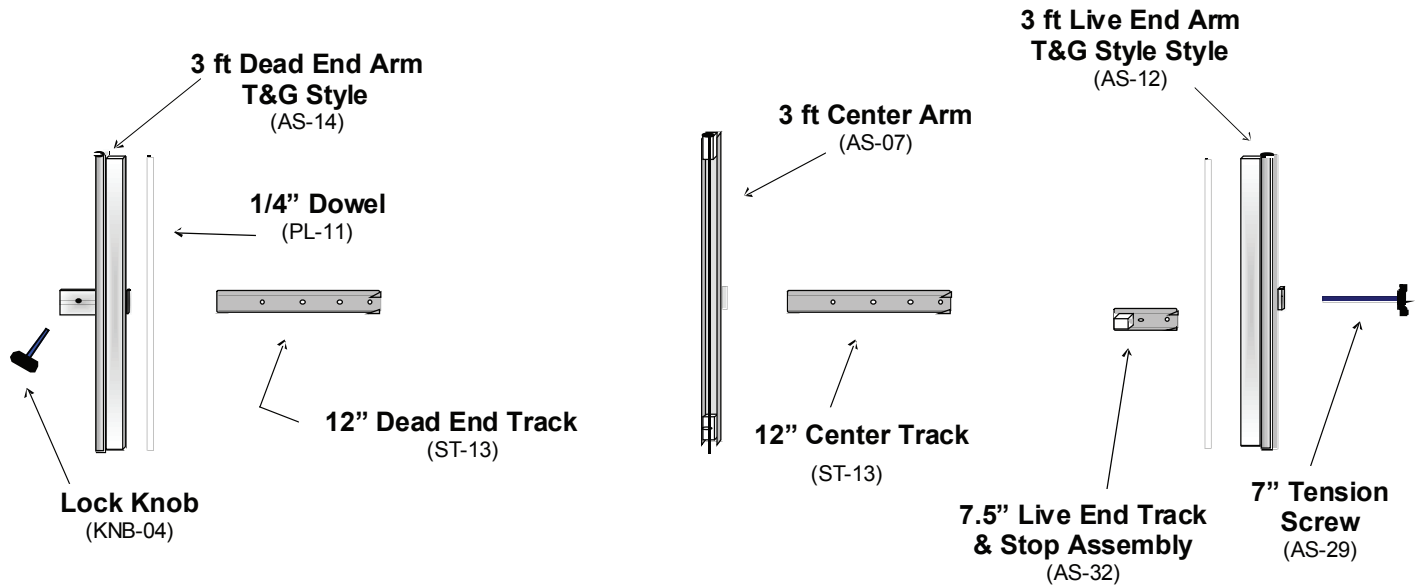


# FLAT WALL HANGTIGHT BANNER FRAME

## 3 x 12-20 FT MODEL - *Tongue & Groove Style*

### Replacement Parts Guide



Copyright 2008 Voxpop, Inc.  
 Patents Pending  
 Rev. 02/06  
 EXP-TOP3x10

#### Replacement Mounting Screws

For fastening tracks to wood surfaces  
 (BAG-07)

*For fasteners for other surfaces, call  
 Voxpop Customer Service for  
 recommendations.*

To Order Call Toll-Free 1-800-386-9767  
 FAX: 410-641-1092 Int'l 410-641-1090 [www.voxpopms.com](http://www.voxpopms.com)