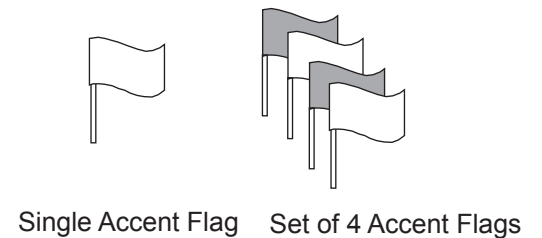
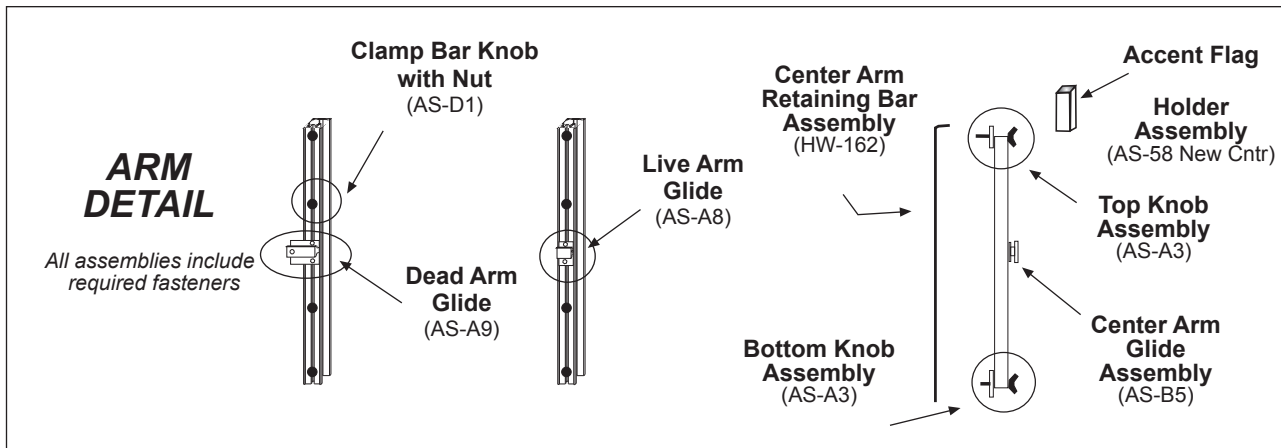
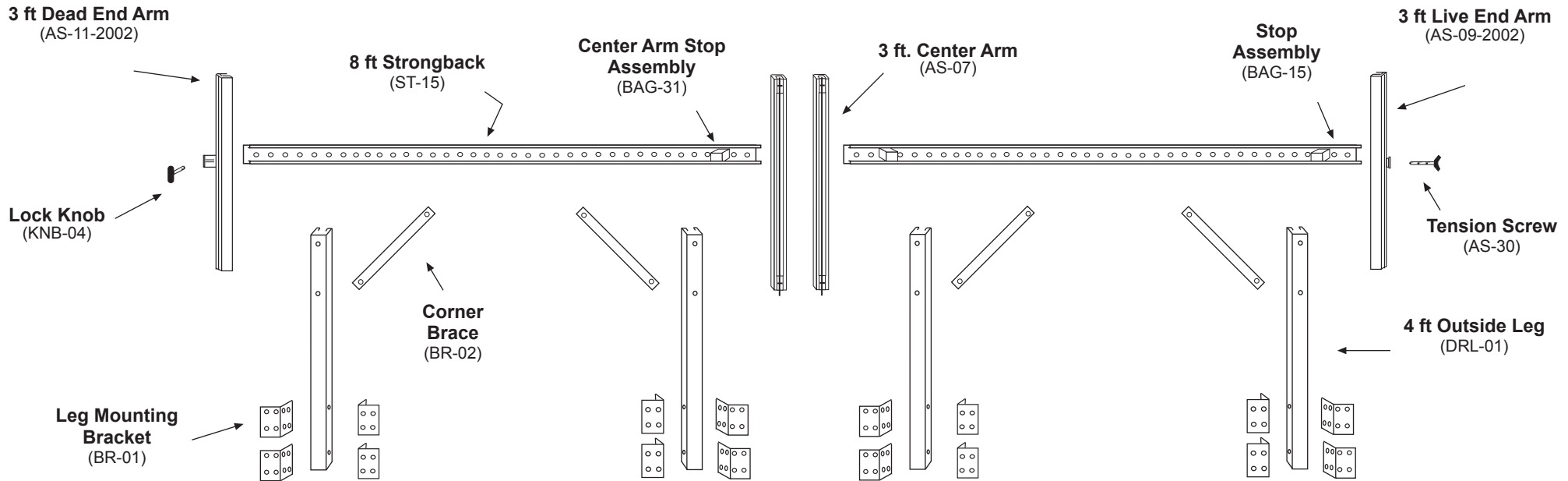


# TopLine Banner Frame - McDonald's Model Replacement Parts Guide



**Fastener Bags - Nuts Bolts & Screws**

Screw Bag - *mount Legs to wall* (Bag-01)

Fasteners Bag - *bolt Legs to Strongback* (Bag-10)

Fasteners Bag - *bolt Leg Brackets to Leg* (Bag-08)

Master Fastener Bag - *2 of Above and 1 Bag-15* (Bag-MM)