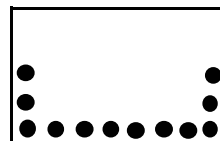


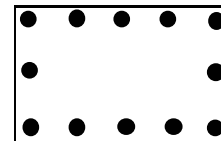
WinDancer - Standard Roof Mount Installation Instructions

Voxpop's WinDancer roof systems can be installed on any flat wall, or on the back side of the parapet wall (to conceal the brackets). Prior to installation, map out the positioning of each flag. *Do not install the brackets more closely than the width of the fpanels (to prevent panels from touching the next pole over).*

Tip: Get best results by installing the displays 6-8 feet apart. Skew to the best advertising exposure of your building, as shown. Try not to spread the flags sparsely around the roof perimeter.



Most effective



Least effective

Components List (per unit)

- | | |
|----------------------------|----------------------|
| (1) Graphics panel(s) | (1) Aluminum bar |
| (1) Pole | (2) Fasteners bag s |
| (1) Top De-Furling ring | (1) Mounting bracket |
| (1) Bottom De-Furling ring | (1) Plastic pole cap |

Tools Required

- | | |
|-------------------|----------------|
| Power Screwdriver | Measuring tape |
| Adjustable wrench | Level |

Step 1 - Install the Brackets

After selecting the locations for each pole, fasten a 12" channel bracket to the wall using all 6 screws provided for each bracket. **FIG 1**. Be sure brackets are plumb (exactly vertical). Use a level! Fasten securely.

Note: If mounting surface is not wood or wood-backed, alternate fasteners may be required. Call Voxpop for assistance. If there is an offset ledge at the top of the parapet wall, you may need to "shim" out the brackets with a piece of wood.

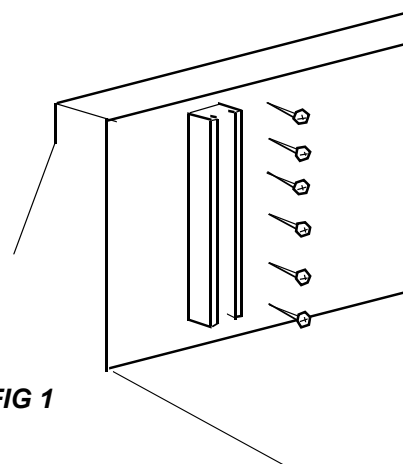


FIG 1

Step 2 - Assemble Pole, Bar

Assemble the pole, aluminum bar and graphics panel as shown in **FIG 1**.

Slide a De-Furling ring over the top of the pole until it rests on the pin, and then slide the white cap on top of the pole. Slide the other De-Furling ring onto the pole from the **BOTTOM**.

Slide aluminum bar through the De-Furling rings, using a 3/4" hex bolt and wing nut secure aluminum bar (using the top and bottom holes in the aluminum bar) as shown

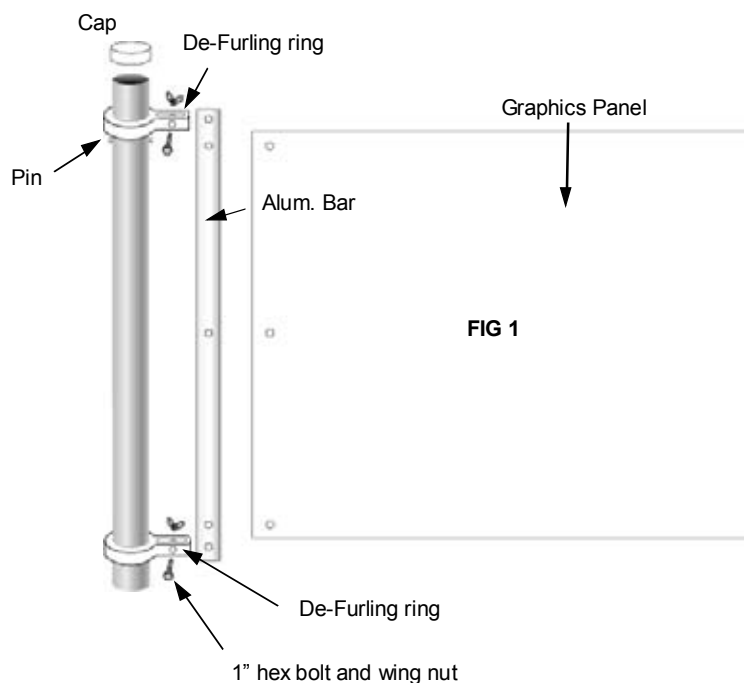


FIG 1

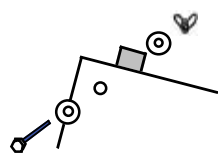
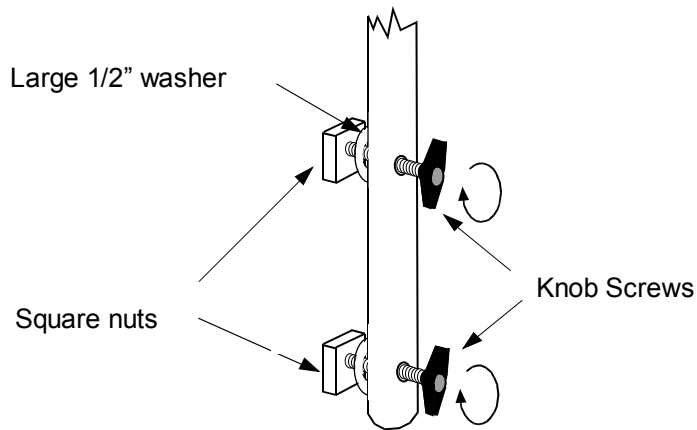


FIG 3

Attach the graphics panel to the aluminum bar as shown in **FIG 3**. Be sure to use a washer on each side.

FIG 4



Step 3 - Assemble Pole Bottom

Insert the knob screws through the holes in the pole - then through the large washers and into the square nuts as shown in **FIG 4**.

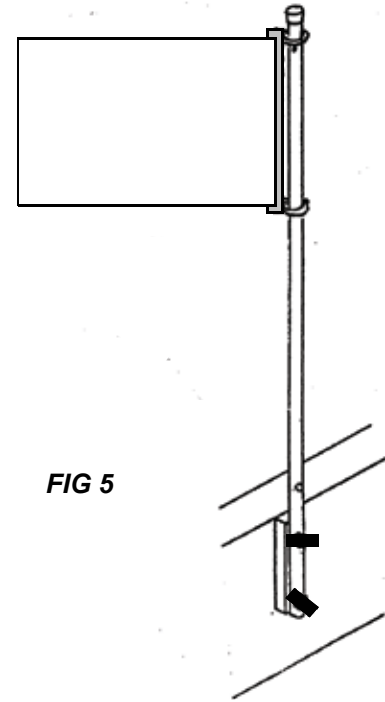


FIG 5

Step 4 - Attach Pole to Bracket

Insert the square nuts and large washers at the base of the pole into the channel, sliding both sets in from the top. The pole should nest in the channel.

Then, tighten both bolts securely. Be sure both sets of nuts and washers are inserted in the channel.

Your finished display should appear as in **FIG 5**.

Manufactured in the USA by

VOXPOP
MARKETING SYSTEMS

10746 Worcester Highway P.O. Box 200
Berlin, MD 21811 800-386-9767

QUESTIONS or COMMENTS?

Call Voxpop Customer Service
TOLL FREE at 1-800-386-9767
or e-mail service@voxpathms.com