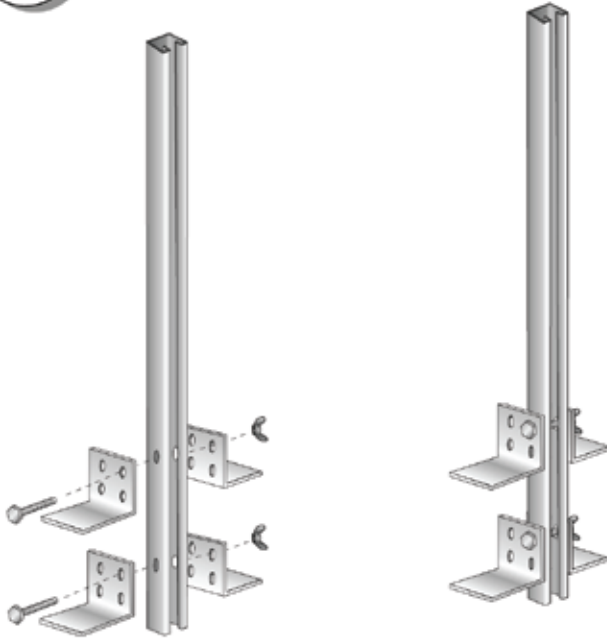


Addendum for Checkers Stores

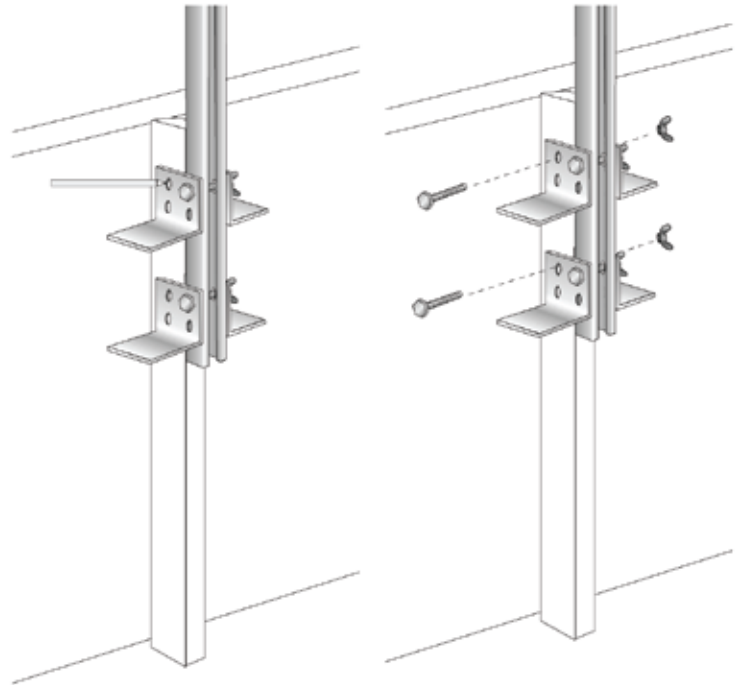
with parapet walls using steel support beams

1 First follow the general instructions until you get to the (ALL MODELS:) section of STEP TWO. Now follow the instructions below.

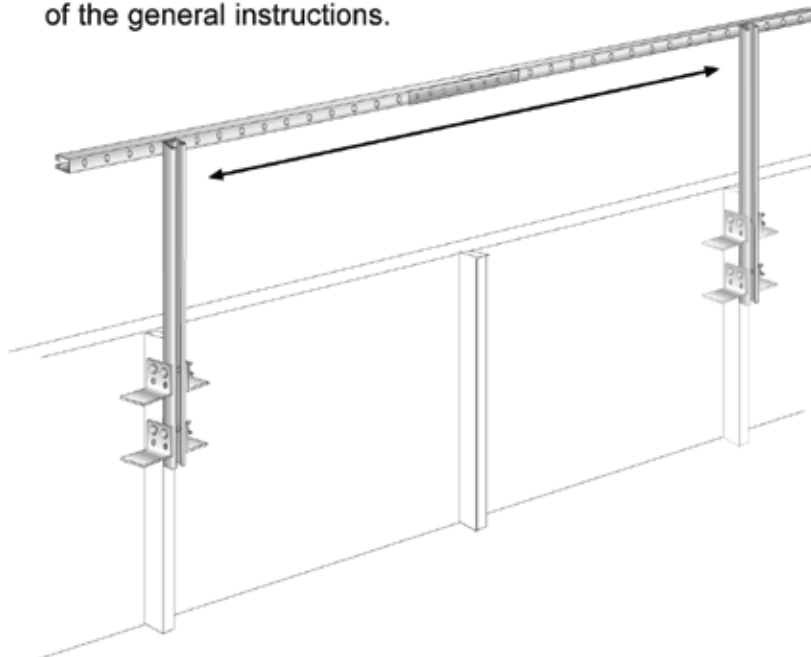
2 Attach the brackets to the legs as shown below.



3 Place the leg with brackets installed on beam (at least 19 inches of the leg should be above the roof line for banner clearance) mark beam as shown. Remove and drill holes at marks, repeat for other leg (it is important both legs are at the same height to ensure that the strongback will be level). Now, insert bolts and secure with wing nuts.



4 When you have both legs installed to the parapet, as shown below, center the assembled strongback from step 1 between the two legs as shown. Now attach the strongback to the legs as shown in the detail of the leg, strongback & corner brace assembly in the middle of page 3 of the general instructions. Regardless of which hole the leg is installed in the strongback, the corner brace should be installed 6 holes to the inside of the leg as shown in the detail on (page 3). Now continue with page 4 of the general instructions.



**Questions?
Problems?**

Call Voxpop at
1-800-386-9767
or e-mail:

service@voxpathms.com

www.voxpopms.com

VOXPOP
MARKETING SYSTEMS