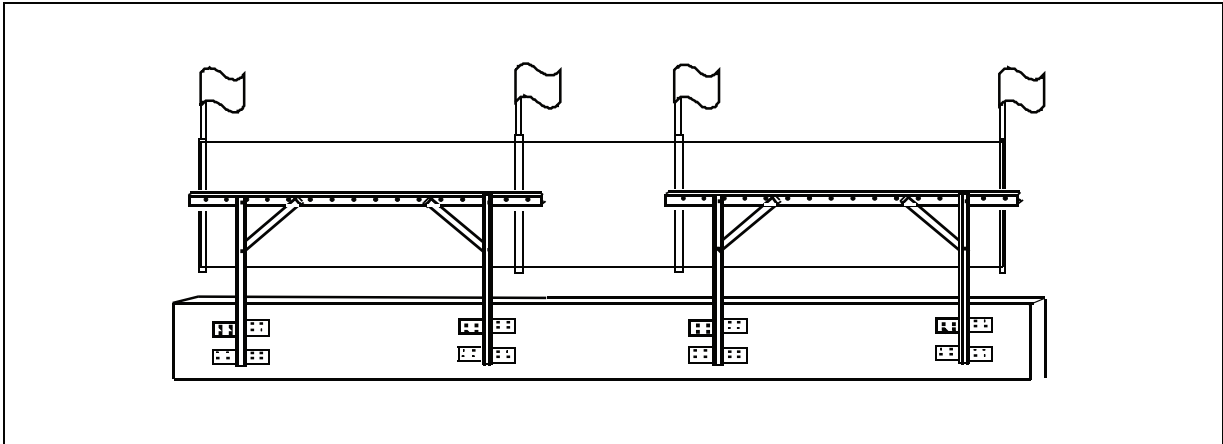


# McDonald's Model TopLine Banner Frame

## Installation Instructions



### **IMPORTANT CAUTION & SAFETY NOTICE !!** **Read Before Installing !**

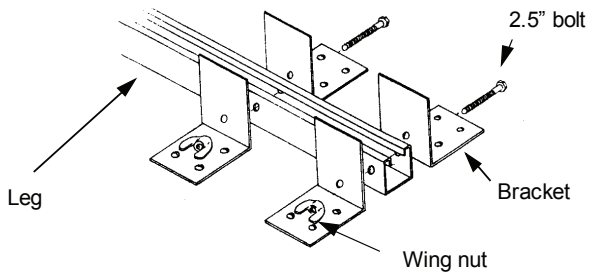
The TopLine Banner Frame must be installed and used exactly according to these instructions in order to validate the warranty. Installation should be performed by a knowledgeable mechanic or maintenance person. Voxpop does not provide sealants or other moisture inhibitors. Installation of this product may void roofing material warranties. Consult your roofing material manufacturer for recommended weatherproofing steps. The mounting surface must be a minimum 3/8" plywood. Mounting surfaces other than wood will require mounting fasteners or permanent supports not included with this product. Use of this product in winds exceeding 40 MPH may result in damage to the framework, your building, or other property. Any installed banner **MUST BE REMOVED** in the event of high winds. The frame should **NEVER** be put in the "lay back" position with the banner or vertical "Arms" attached. Questions ? Call Voxpop for installation advice **BEFORE** installing.

Manufactured in the USA by

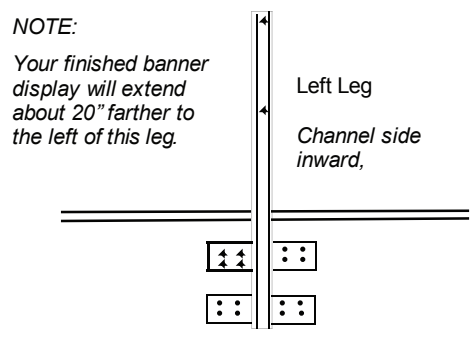
**VOXPOP**  
MARKETING SYSTEMS

10746 Worcester Highway P.O. Box 200  
Berlin, MD 21811 800-386-9767

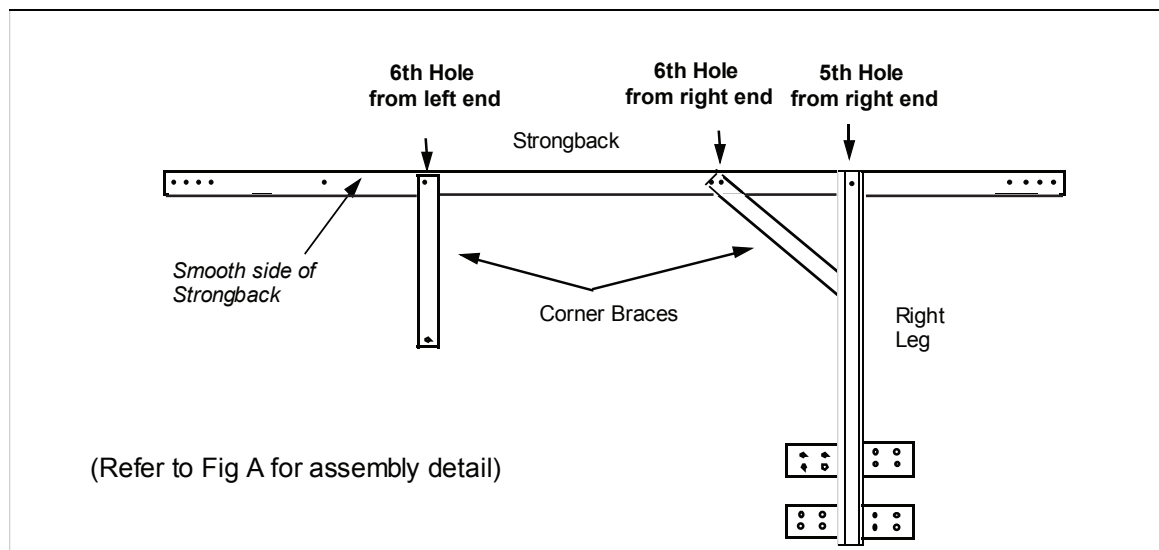




**FIG 1** Fasten (4) mounting brackets to each of the (4) legs exactly as shown, using 2.5" bolts, washers and wing nuts. Use washer on wing nut side (not shown). Tighten securely.

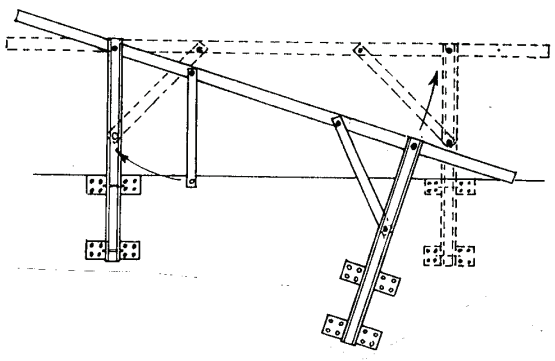


**FIG 2** - Screw a **Leg** to the wall - it will be the left leg on the left part of the base frame. Install as high up as you can. Use a level to be sure it is installed plumb (vertically level).



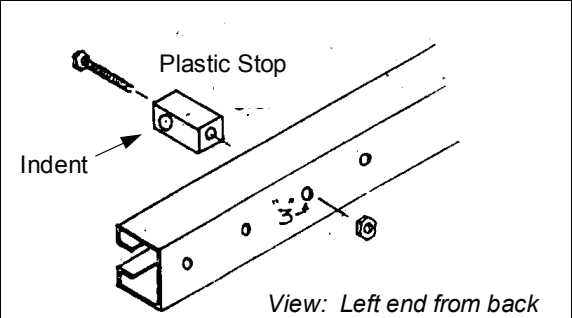
(Refer to Fig A for assembly detail)

**FIG 3** - Remotely, assemble another **Leg** to a section of **Strongback** at the 5th hole inward, as shown. Fasten a **Corner brace** to the Strongback at the 6th hole inward, on both sides. Fasten the right Corner brace to the Leg, as shown.

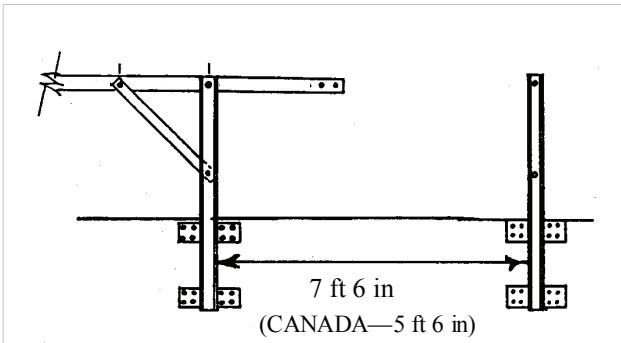


**FIG 4** - Bolt the **Strongback** (with Right Leg attached) to the **Left Leg**. (Refer to detail diagram Fig A). Then raise the assembly until the **Strongback** is level. Hold in place and fasten one screw in one of the brackets on the **Right Leg**, holding it to the parapet.

Bolt the **Left Corner Brace** to the **Left Leg**. The holes should line up. If not, remove the single screw and adjust. Finish fastening the **Right Leg** to the parapet at the remaining 15 screw holes.

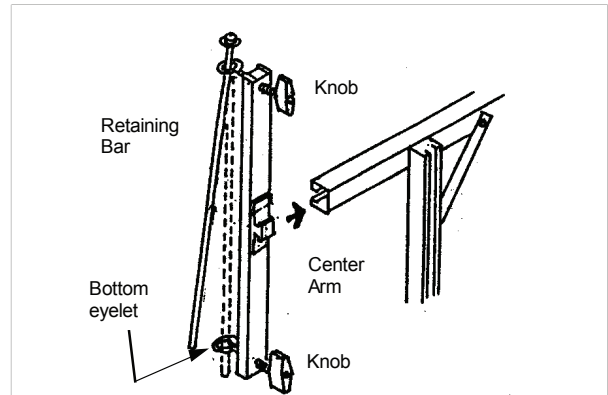


**FIG 5** - Fasten the white plastic **Live end Stop** to the left section of base frame as shown. Fasten at the 3rd hole inward on the left end of the **Strongback**. Use a 2.5" bolt and hex nut. The indent on the side should face outward.



**FIG 6** - Screw another **Leg** to the wall, exactly 7'6" to the *right* of the *right* leg from FIG 3. Be sure the leg is plumb. Repeat FIGS 3 & 4 to attach the remaining leg and Strongback to this leg.

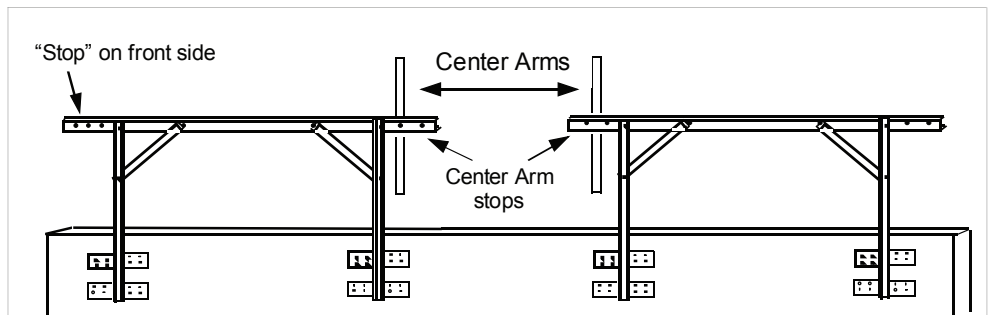
**NOTE:** Canada Model—space at 5 ft 6 in



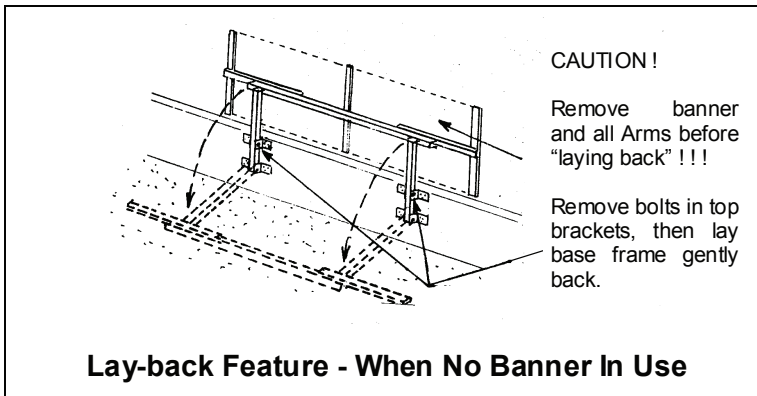
**FIG 7** - Slide a (yellow sticker) **Center arm** onto each **Strongback** as shown. See **FIG 8**. For security, fasten the **Center Arm Stops** as shown in **FIG 7A**.



**FIG 7A**—Place **Center Stops** in 1st hole on each base frame as shown, using bolt, wing nut and plastic sleeve. (View is from front of frame).



**FIG 8**—Completed base frame. To attach the banner, see separate instructions "Installing the Banner".



**Lay-back Feature - When No Banner In Use**

**DO NOT DISPLAY A BANNER ON THIS FRAME IN WINDS ABOVE 45 MPH !!**

**INSTALLER:** Please leave the copy of "Installing the Banner" with the facility manager for future use.

# Voxpop Marketing Systems

QUESTIONS? COMMENTS? CALL VOXPOP  
CUSTOMER SERVICE TOLL FREE  
1-800-3-VOXPOP

Copyright 2009, Voxpop Marketing Systems  
P.O. Box 200 Berlin, MD 21811

Patents Pending  
FAX (410) 641-1092