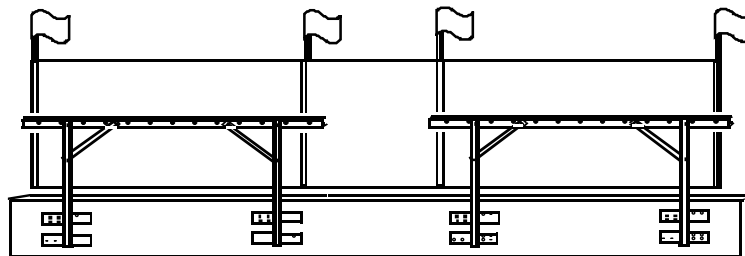


TopLine Banner Frame

Double Base-Frame Models

3x15 thru 4x20
Installation Instructions

- Size 3 x 15 3 x 16 3 x 18 3 x 20
Enclosed: 4 x 15 4 x 16 4 x 18 4 x 20
 Extension Track Addendum



IMPORTANT CAUTION & SAFETY NOTICE !! **Read Before Installing !**

The TopLine Banner Frame must be installed and used exactly according to these instructions in order to validate the warranty. Installation should be performed by a knowledgeable mechanic or maintenance person. Voxpop does not provide sealants or other moisture inhibitors. Installation of this product may void roofing material warranties. Consult your roofing material manufacturer for recommended weatherproofing steps. The mounting surface must be a minimum 3/8" plywood. Mounting surfaces other than wood will require mounting fasteners or permanent supports not included with this product. Use of this product in winds exceeding 45 MPH may result in damage to the framework, your building, or other property. Any installed banner **MUST BE REMOVED** in the event of high winds. The frame should **NEVER** be put in the "lay back" position with the banner or vertical "Arms" attached. Questions ? Call Voxpop for installation advice **BEFORE** installing.

Manufactured in the USA by

VOXPOP
MARKETING SYSTEMS

10746 Worcester Highway P.O. Box 200
Berlin, MD 21811 800-386-9767

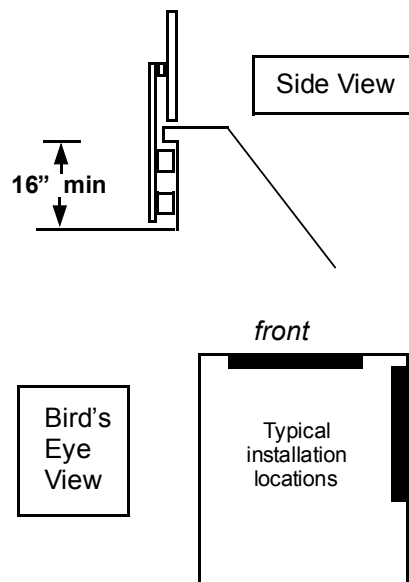
STEP ONE - PREPARATION & LAYOUT

Your TopLine Model is comprised of (2) *base frames* that measure up to 24 ft across, depending on your model size. It is designed for installation on the back side of the parapet (knee) wall on your building's roof. A minimum 16" high vertical parapet is required. *If your parapet is less than 16" high, call Voxpop to order a "Short Parapet" upgrade kit.* Install the frame as high on the parapet wall as you can, to be sure the banner will clear the top of the wall. The frame allows for a 2" offset parapet header. Shims may be required for larger offsets.

Select a location for your finished display that will maximize its merchandising effectiveness. Typically this will be the front of the building or on the front portion of the *side* of the building, where traffic will notice.

- TOOLS : Level Power drill or driver**
NEEDED #2 or #3 driver bit Measuring tape
(2) 7/16 deep socket Adjustable crescent wrench
wrenches or ratchets

***We recommend the use of sealants or caulking (not included).
 Bracket fasteners included are for strong, wood backed surfaces only.
 Call Voxpop for assistance with alternate surfaces.***



STEP TWO - INSTALLING THE BASE FRAME

GENERAL NOTES:

All **Legs**, **Corner braces** and **Strongbacks** fasten together as shown in **FIG A** whenever instructions call for it. (Fig shows left leg). **FIG B** shows an overview of how the TopLine 2-part base frame appears when installed properly. Depending on your model, the frame will extend 15 ft up to 24 ft from end to end. For all models except 15 ft, the measurement between the two inside legs is always 7ft 6 in (see Fig B)

When installed, the open channel side of the **Legs** face inward. The open channel of the **Strongback** sections face outward (to the street).

Use a level to be sure all **Legs** are plumb (vertically straight). Be sure to drive a screw in *all* screw holes in the leg brackets (total 64 screws). *Note : If the mounting surface is not wood or wood backed, alternate fasteners are required. Call Voxpop for assistance.*

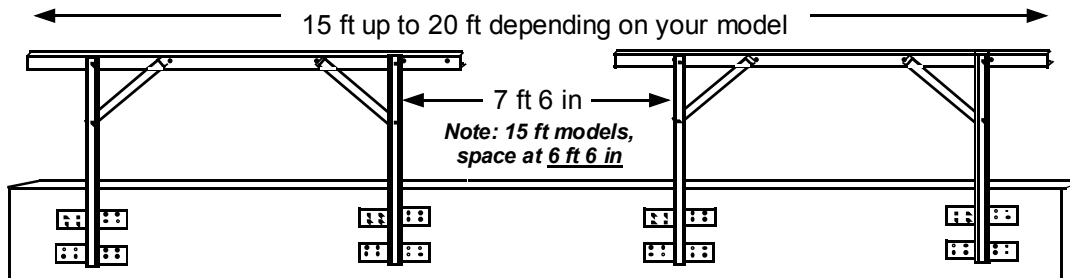
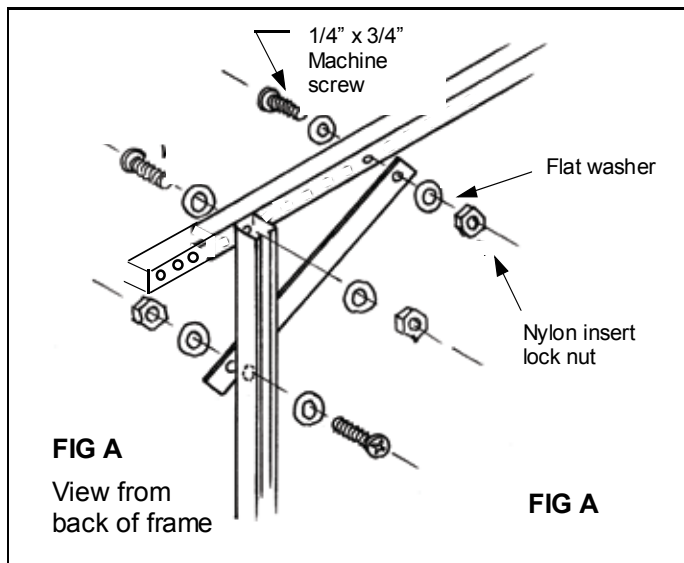


FIG B Overview of the TopLine 2-part base frame. It is a good idea to lay out the components to be sure positioning is correct before installing.

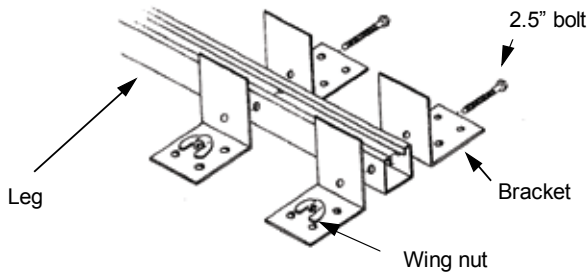


FIG 1 Fasten (4) mounting brackets to each of the (4) legs exactly as shown, using 2.5" bolts, washers and wing nuts. Use washer on wing nut side (not shown). Tighten securely.

NOTE:

Your finished banner display will extend about 20" farther to the left of this leg.

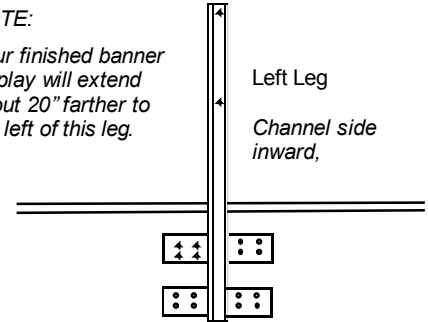
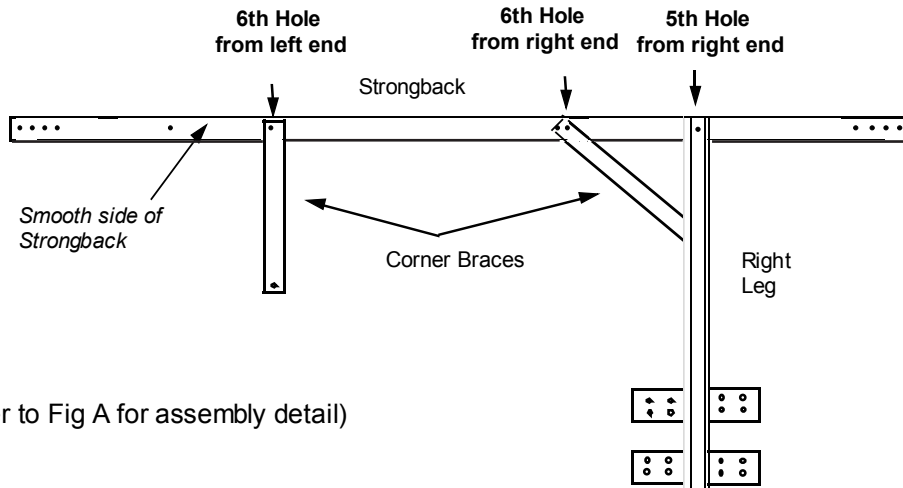


FIG 2 - Screw a **Leg** to the wall - it will be the left leg on the left part of the base frame. Install as high up as you can. Use a level to be sure it is installed plumb (vertically level).



(Refer to Fig A for assembly detail)

FIG 3 - Remotely, assemble another **Leg** to a section of **Strongback** at the **5th** hole inward, as shown. Fasten a **Corner brace** to the Strongback at the **6th** hole inward, on **both** sides. Fasten the right Corner brace to the Leg, as shown.

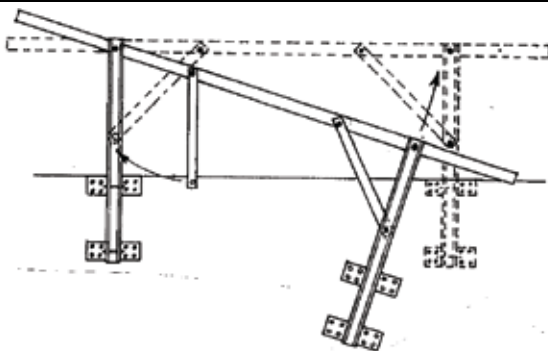


FIG 4 - Bolt the **Strongback** (with Right Leg attached) to the **Left Leg**. (Refer to detail diagram Fig A). Then raise the assembly until the **Strongback** is level. Hold in place and fasten one screw in one of the brackets on the **Right Leg**, holding it to the parapet.

Bolt the **Left Corner Brace** to the **Left Leg**. The holes should line up. If not, remove the single screw and adjust. Finish fastening the **Right Leg** to the parapet at the remaining 15 screw holes.

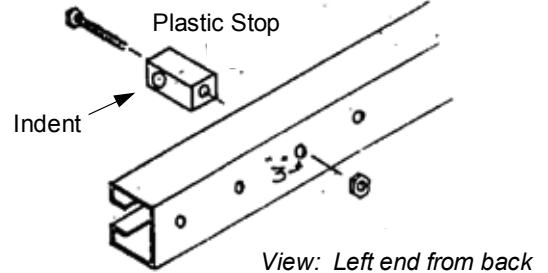


FIG 5 - Fasten the white plastic **Live end Stop** to the left section of base frame as shown. Fasten at the 3rd hole inward on the left end of the **Strongback**. Use a 2.5" bolt and hex nut. The indent on the side should face outward.

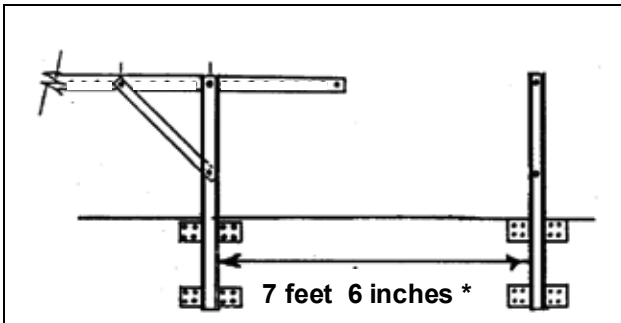


FIG 6 -
Screw another **Leg** to the wall, exactly 7' 6" to the **right** of the **right leg** from FIG 3. Be sure the leg is plumb.
Repeat FIGS 3 & 5 to attach the remaining leg and Strongback to this leg.

*** Note—15 ft models space legs 6 ft 6 in apart**

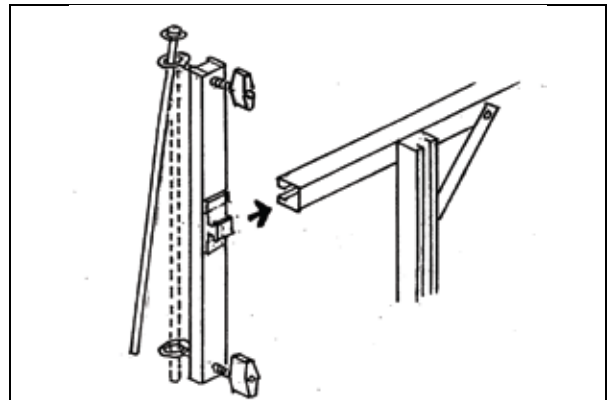


FIG 7 - Slide a (yellow sticker) **Center arm** onto each **Strongback** as shown. See FIG 8.
For security, fasten the Center Arm Stops as shown in FIG 7A.

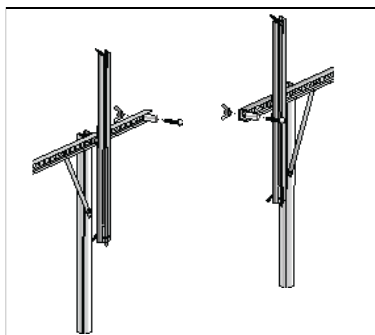


FIG 7A—Place Center Stops in 1st hole on each base frame as shown, using bolt, wing nut and plastic sleeve.
(View is from front of frame).

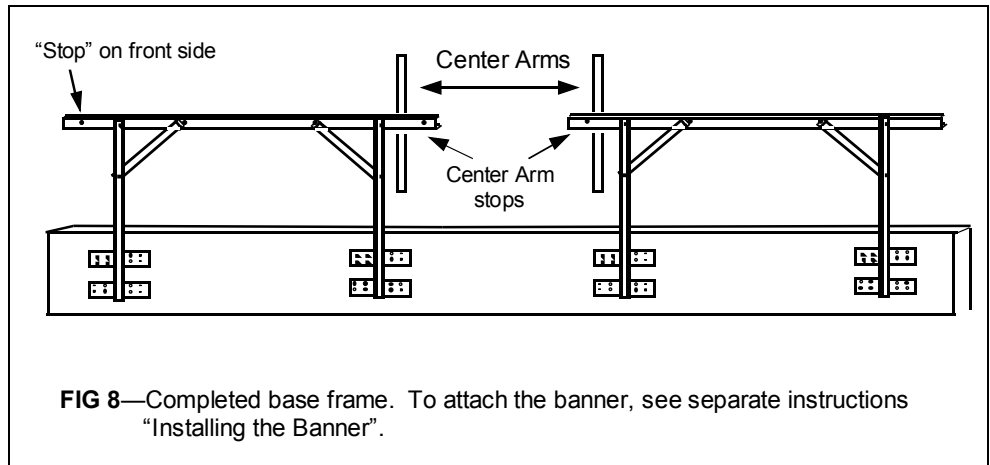
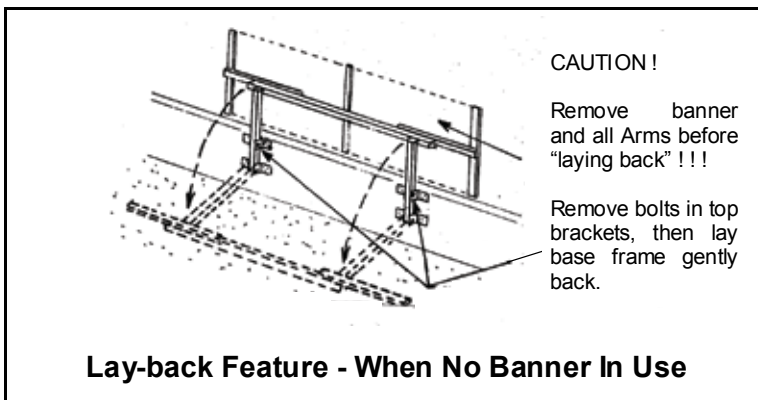


FIG 8—Completed base frame. To attach the banner, see separate instructions "Installing the Banner".



Lay-back Feature - When No Banner In Use

CAUTION !

Remove banner and all Arms before "laying back" !!!

Remove bolts in top brackets, then lay base frame gently back.

DO NOT DISPLAY A BANNER ON THIS FRAME IN WINDS ABOVE 45 MPH !!

INSTALLER: Please leave the copy of "Installing the Banner" with the facility manager for future use.

Voxpop Marketing Systems
www.voxpopms.com

QUESTIONS? COMMENTS? CALL VOXPOP
CUSTOMER SERVICE TOLL FREE
1-800-3-VOXPOP

Copyright 2009, Voxpop Marketing Systems
P.O. Box 200 Berlin, MD 21811

Patents Pending
FAX (410) 641-1092