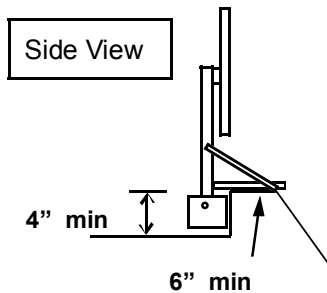
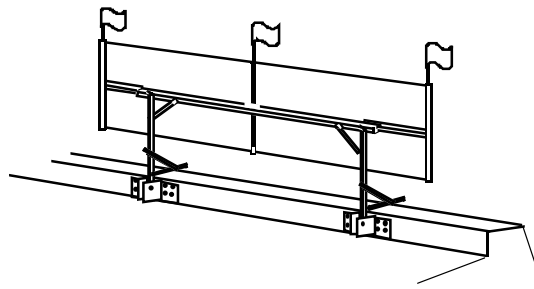


TOPLINE "SP" UPGRADE INSTALLATION INSTRUCTIONS

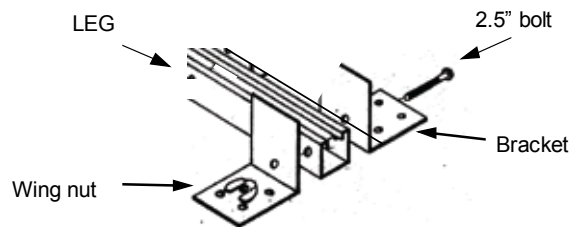


Upgrading your TopLine Frame from a standard model to a Short Parapet ("SP") model means modifying the frame's Legs and Brackets in order to fasten it to a parapet wall less than 16" high. Parapet must have a minimum 4" rise with a minimum 6" flat ledges.

USE THESE INSTRUCTIONS IN CONJUNCTION WITH THE "SHORT PARAPET TOPLINE" INSTRUCTIONS ATTACHED.

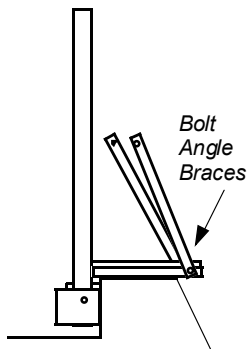
REMOVE UPPER BRACKETS

If you have already attached upper and lower brackets to each of your frames **Legs**, remove the upper pair. Keep the lower pair, so that your legs appear as shown.

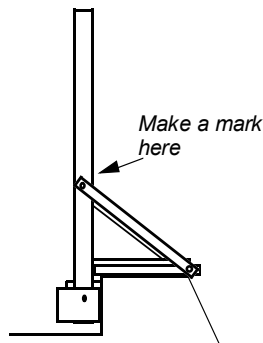


DRILL THRU-HOLE IN LEGS

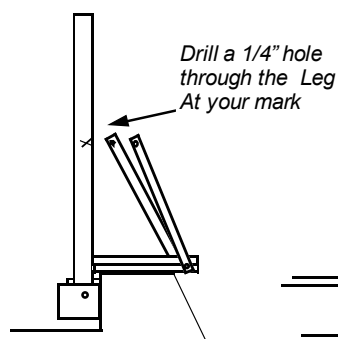
Install your legs as indicated in the accompanying Short Parapet TopLine Instructions. You will need to drill a 1/4" inch hole through each leg as shown below.



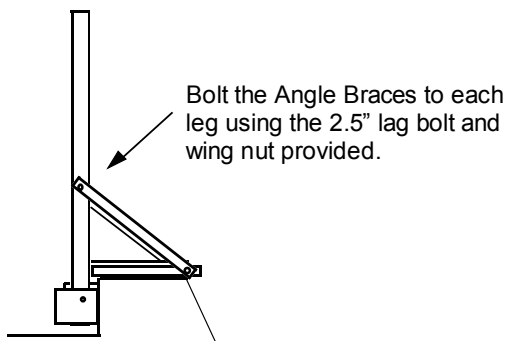
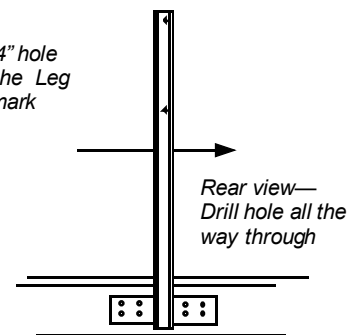
Bolt the Angle Braces to the channel.



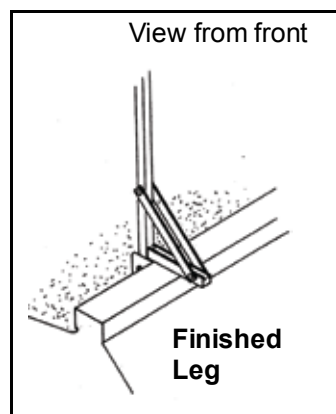
Fold the braces back until they straddle the Leg as shown. Make a mark through the hole in the Braces.



Using a 1/4" metal drill bit, drill a straight hole all the way through the Leg as shown.



Copyright 2009 Voxpop Marketing Systems



QUESTIONS? PROBLEMS?

Call Voxpop Customer Service at

1-800-386-9767

Voxpop
MARKETING SYSTEMS