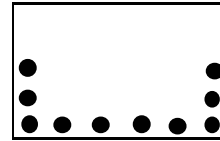


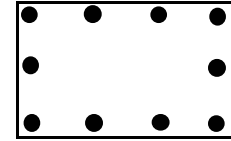
SHORT PARAPET ROOF FLAG SYSTEM - INSTALLATION INSTRUCTIONS

Voxpop roof flag systems can be installed on any flat wall, or on the back side of the parapet wall (to conceal the brackets.) Prior to installation, map out the positioning of each flag. *Do not install the brackets more closely than the width of the flags (to prevent flags from touching the next pole over).*

Tip: Get best results by installing the flags 6-8 feet apart. Skew to the best advertising exposure of your building, as shown. Try not to spread the flags sparsely around the roof perimeter.



Most effective



Least effective

Components list (per unit)

- | | |
|---|-----------------------|
| (1) Flag | (2) Knob Screws |
| (1) Welded bracket | (2) Large Washers |
| (1) Pole | (2) Large Square Nuts |
| (6) 1.5" wood screws | |
| (1) plastic pole cap | |
| (2) De-Furling rings w/Carabinier clips | |

Tools Required

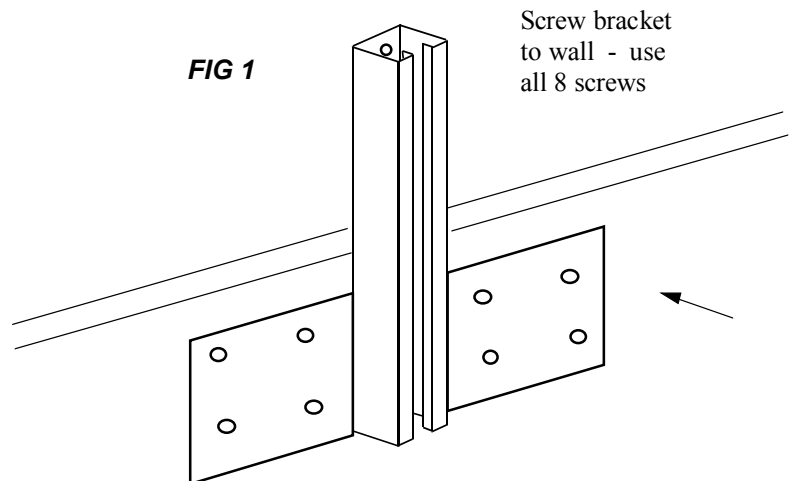
- | | |
|-------------------|----------------|
| Power Screwdriver | Measuring Tape |
| Level | |

STEP 1

After selecting the locations for each flag pole, fasten a bracket to the wall using all 8 screws provided for each bracket. **FIG 1**. Be sure brackets are plumb (exactly vertical). Use a level! Fasten securely.

Note: If mounting surface is not wood or wood-backed, alternate fasteners may be required. Call Voxpop for assistance. If there is an offset ledge at the top of the parapet wall, you may need to "shim" out the brackets with a piece of wood.

FIG 1



STEP 2

Assemble the pole as shown in **FIG 2**.

Slide (1) De-Furling ring over the top of the pole until it rests on the pin. Then place the gold cap on top of the pole. Slide the other De-Furling ring onto the pole from the **BOTTOM**.

Fasten the flag to the pole using the Carabinier clips which are attached to the De-furling rings.

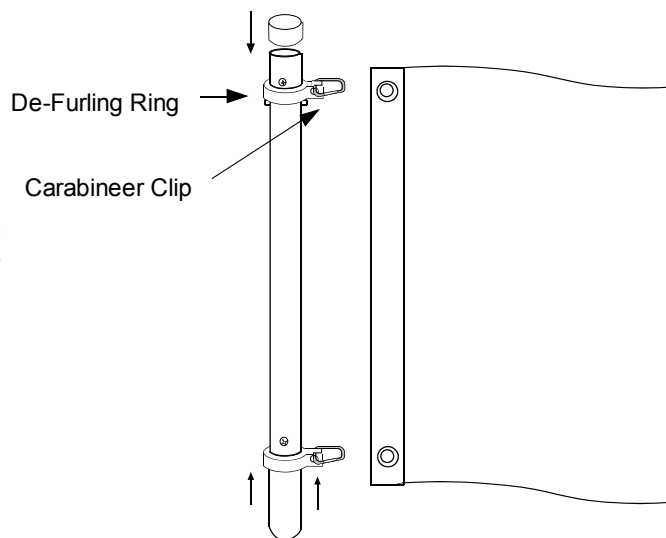


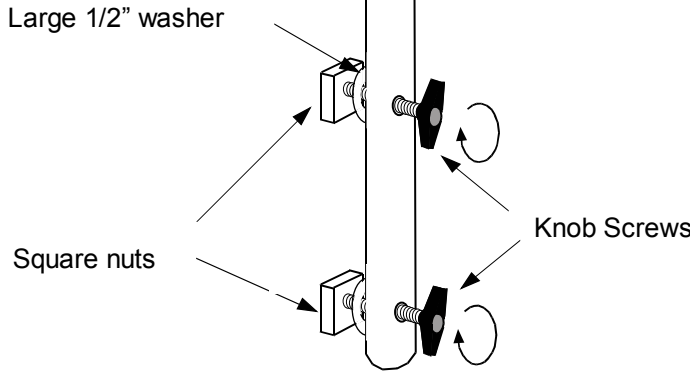
FIG 2

Manufactured in the USA by

VOXPOP
MARKETING SYSTEMS

10746 Worcester Highway P.O. Box 200
Berlin, MD 21811 800-386-9767

FIG 3



STEP 3

Insert the knob screws through the holes in the pole - then through the large washers and into the square nuts as shown in **FIG 3**.

Note: The De-Furling rings will dramatically reduce, but not eliminate, the flag from furling around the pole. This feature will reduce wear on the flag.

Flags should be replaced every 3-6 months, depending on the weather in your area.

Flag Replacement Program available to guarantee the lowest possible price for replacement flags! Call your sales representative for details!

Manufactured in the USA by

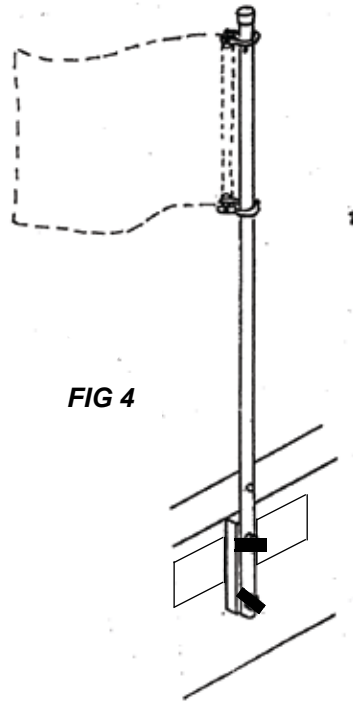
VOXPOP

MARKETING SYSTEMS

10746 Worcester Highway P.O. Box 200

Berlin, MD 21811 800-386-9767

www.voxpopms.com



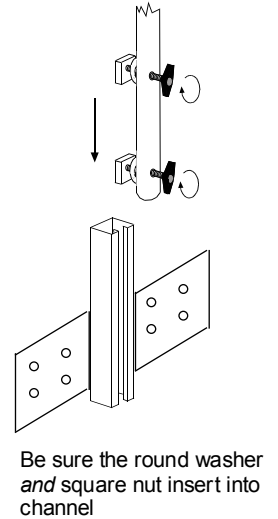
STEP 4

Insert the square nuts and large washers at the base of the pole into the channel, sliding both sets in from the top. The pole should nest in the channel.

Then, tighten both Knob Screws securely. Be sure both sets of Square Nuts and Washers are inserted in the channel.

Your finished display should appear as in **FIG 4**.

WARNING: When replacing flags be sure to reinstall flag poles to original specifications. Always check for worn or faulty parts to ensure your poles are securely attached to brackets and that brackets are securely fastened to roof. Remove flags and poles in extreme weather conditions to prevent damage and or injury.



To prevent the top De-Furling Ring and cap from popping off of the pole, screw the 1/2" screw provided into the hole, as shown. Be sure to place the De-Furling ring onto the pole first.

