

Ground Mount Banner Frame

3x6 thru 4x14 Models

Installation Instructions

Size

3 x 6

3 x 8

3 x 10

3 x 12

3 x 14

Enclosed:

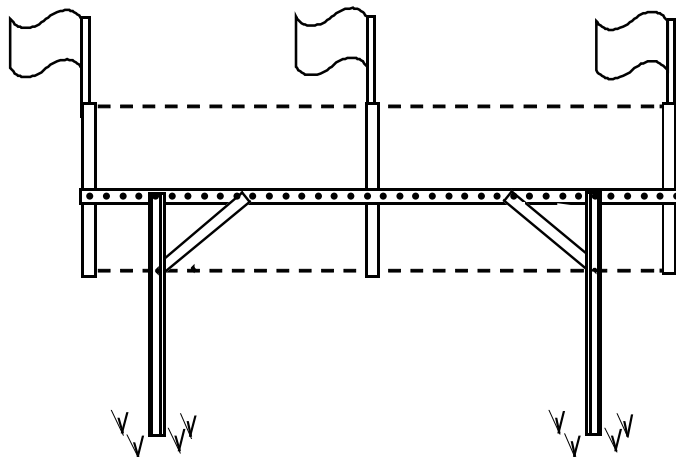
4 x 6

4 x 8

4 x 10

4 x 12

4 x 14



Manufactured in the USA by

VOXPOP

MARKETING SYSTEMS

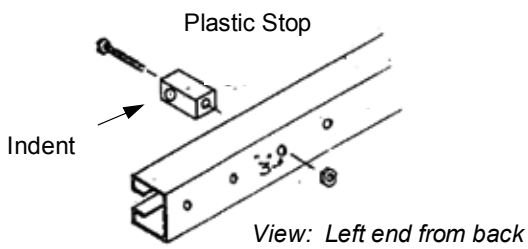
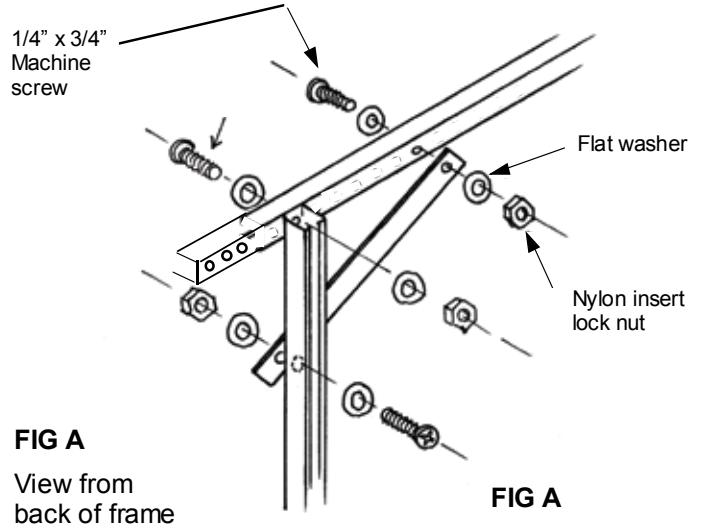
10746 Worcester Highway P.O. Box 200
Berlin, MD 21811 800-386-9767

ALL MODELS:

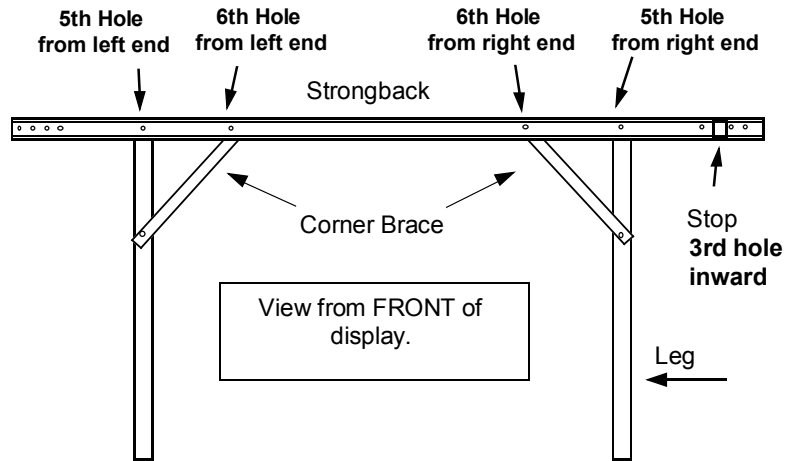
Assemble the **Legs**, **Corner Braces** and **Strongback** as shown.

The **Legs** attach to the **Strongback** at the 5th hole inward on each side, as shown, using a 3/4" bolt, (2) washers and a hex nut.

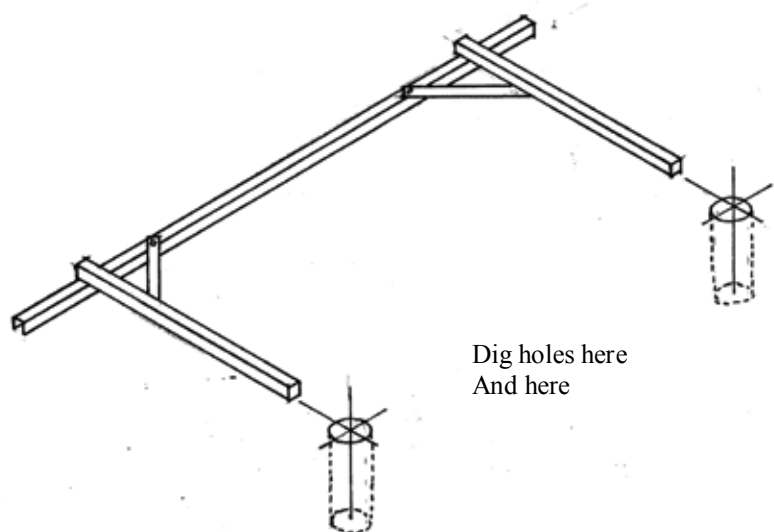
The **Corner Braces** fasten to the **Strongback** at the 6th hole inward on each side, and to the single hole located about 13" down from the top of each **Leg**. Use a 3/4" bolt, (2) washers and hex nut as shown.



Fasten the white plastic **Stop** to the **Strongback** at the 3rd hole inward on the **LEFT** side - when working from the **BACK** of the frame, as shown. Be sure the indented side of the **Stop** faces to the outside. Insert the 2.5" bolt through the hole in the **Stop**, and tighten with the hex nut on the back of the **Strongback** as shown.

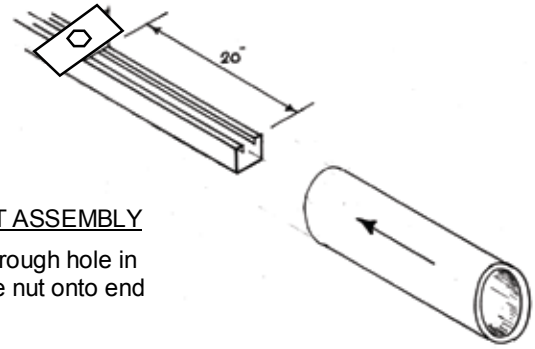


Position the completed base frame where you want your display to go. The channel side of the **STRONGBACK** will be the front of the display. Lay the base frame down, and dig a hole at the base of each **LEG**. The hole should be approximately 20" deep and 12" in diameter.



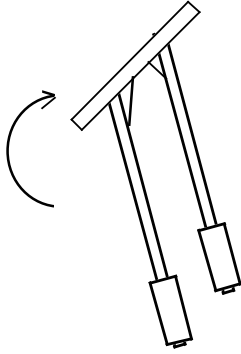
Assemble the LEVELING FEET* and slide one onto each LEG as shown. Tighten it into position about 20" up from the bottom.

Slide a white PVC SLEEVE onto each LEG, until it hits the FOOT.



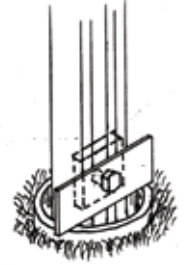
*** LEVELING FOOT ASSEMBLY**

Insert a 3/8" bolt through hole in foot. Screw square nut onto end of bolt.



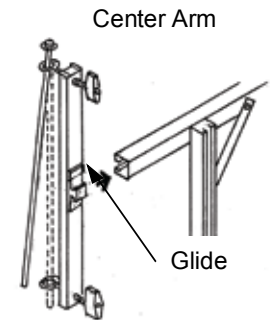
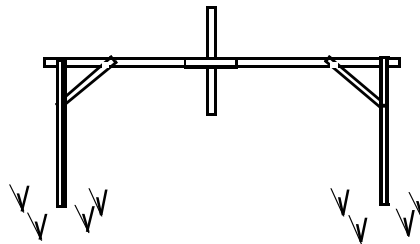
Tilt the base frame up and then lower the SLEEVES into the holes. The top of each SLEEVE should be at about ground level. (Slightly above is OK.)

Maneuver the base frame so that the LEGS are plumb (vertically straight) and the STRONGBACK is level. Correct the LEVELING FEET by loosening, then sliding each FOOT down the leg until it butts against the top of the SLEEVE. Re-tighten each FOOT.



12 ft & 14 ft Models Only : Slide on the Center Arm

Slide the (yellow sticker) **Center Arm** onto the **Strongback**. Position the **Glide** so that it inserts into the channel in the **Strongback**. The channel side of the **Center Arm** should be facing outward. Slide it to the center of the base frame.



NOTE: : If you purchased the "Holetite" compound to secure the PVC, refer to those instructions now. If you are not using the Holetite compound, backfill loose dirt into each hole. Compact the dirt as firmly as you can around each **Leg** (important).

To attach the banner, see separate instructions "Installing the Banner".

INSTALLER: Please leave the copy of "Installing the Banner" with the facility manager for future use.

QUESTIONS? COMMENTS? CALL VOXPOP
CUSTOMER SERVICE TOLL FREE
1-800-3-VOXPOP

Copyright 2009, Voxpop Marketing Systems Patents Pending
P.O. Box 200 Berlin, MD 21811 / FAX (410) 641-1092