



Pole Mount Banner Frame Initial Installation - Installing the Tracks

Your Model:	<input type="checkbox"/> 3 Ft Arms	<input type="checkbox"/> Tongue & Groove Style 	<input type="checkbox"/> Screw-In	<input type="checkbox"/> Single sided
	<input type="checkbox"/> 4 Ft Arms	<input type="checkbox"/> Clamp Bar Style 	<input type="checkbox"/> Hose Clamp	<input type="checkbox"/> Double sided

Screw-In Models

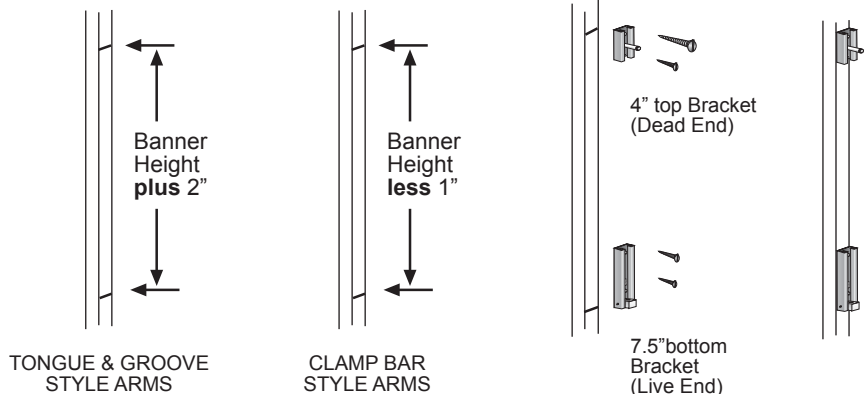
MEASURE & MARK

Tongue & Groove Style Arms

Make a mark on the pole that will be the top of your display. Measure down your exact banner height PLUS 2" and make another mark.

Clamp Bar Style Arms

Make a mark on the pole that will be the top of your display. Measure down your exact banner height LESS 1" and make another mark.



FASTEN BRACKETS TO POLE

Position the *top* of the 4" Dead End (top) bracket at your top mark and drill pilot holes through the two holes in the bracket. Fasten securely to the pole, using the long screw and plastic cylindrical spacer in the top hole, and the short screw alone in the bottom hole.

Position the *bottom* of the 7.5" Live End (bottom) bracket against the bottom mark, directly under, and in line with, the top bracket. The white plastic block should be on the bottom, as shown. Drill pilot holes and fasten securely with the remaining two short screws.

For a double sided screw-in display just repeat on opposite side of the pole.

Hose Clamp Models

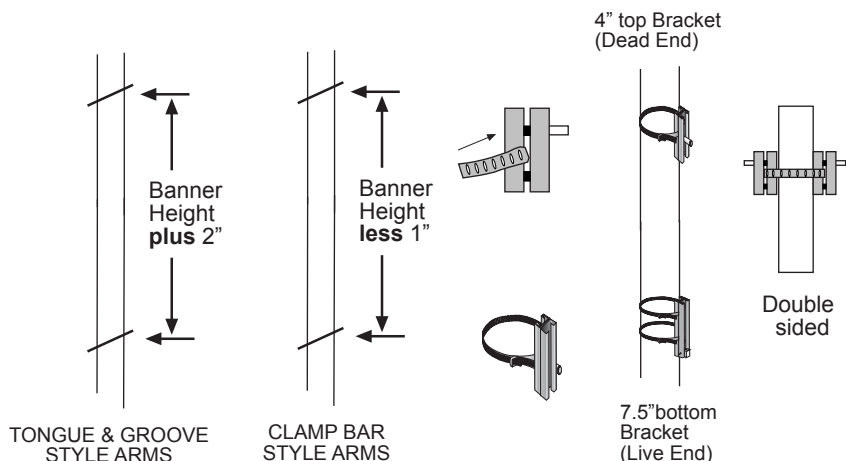
MEASURE & MARK

Tongue & Groove Style Arms

Make a mark on the pole that will be the top of your display. Measure down your exact banner height PLUS 2" and make another mark.

Clamp Bar Style Arms

Make a mark on the pole that will be the top of your display. Measure down your exact banner height LESS 1" and make another mark.



FASTEN BRACKETS TO POLE

Thread the leading edge of one hose clamp between the two sections of channel on the 4" Dead End (top) bracket. Position the *top* of the bracket at the top mark on the pole. Insert the clamp edge in the tightening mechanism and tighten with a screwdriver.

Thread *two* hoseclamps between the two sections of channel on the 7.5" Live End (bottom) bracket. Position the bottom of the bracket against the bottom mark, directly under - and in line with - the top bracket. The white plastic block should be at the bottom, as shown. Tighten hose clamps securely.

For double sided displays, use one clamp to hold both sets of brackets. See diagram above.

Tighten hose clamps

To Install the banner, see separate instructions, "Installing the Banner" attached.