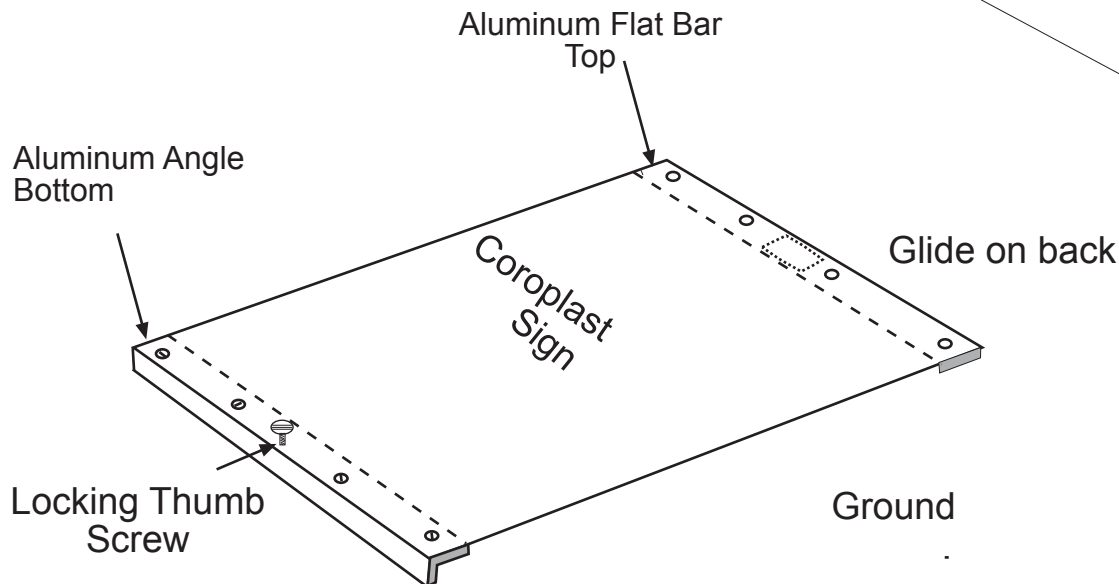
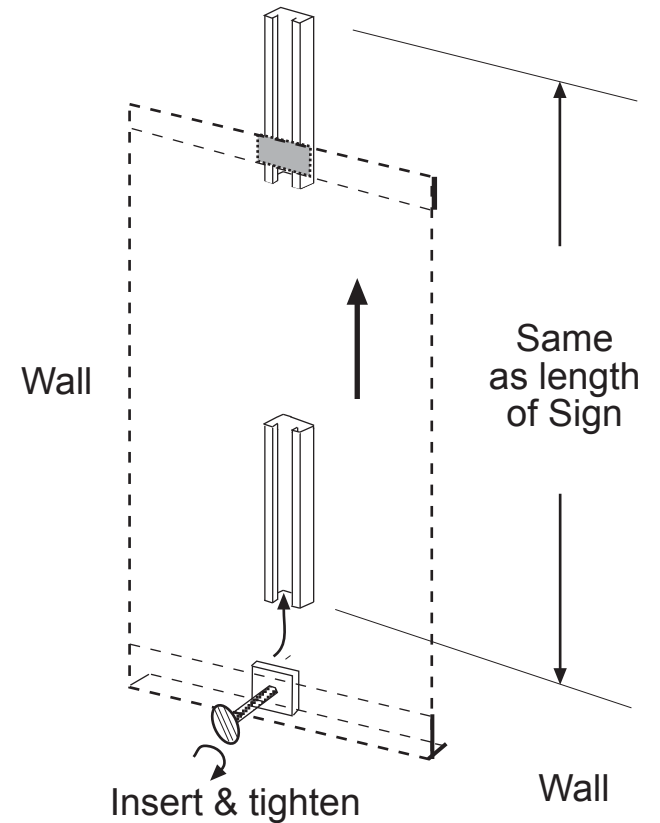


Installing Instructions

1. Fasten Top & Bottom Tracks on wall exact distance apart as the height of the Coroplast sign - with screws provided
2. Put sign on ground and fasten the Top flat bar to the underside of the Coroplast with bolts & thumb screws.

Then do the same with the bottom angle bar. Push Thumbscrew through center hole and thread square nut on it 3 or 4 turns.
3. Now pick up the Sign - insert the glide that is attached to the back of the flat bar and push it upwards in the the top track.
4. The bottom angle has the square nut loosely attached to the thumbscrew. Make sure the square nut goes into the track. Push it upwards as far as it will go and then tighten thumbscrew very firmly.



Manufactured in the USA by

VOXPOP
MARKETING SYSTEMS

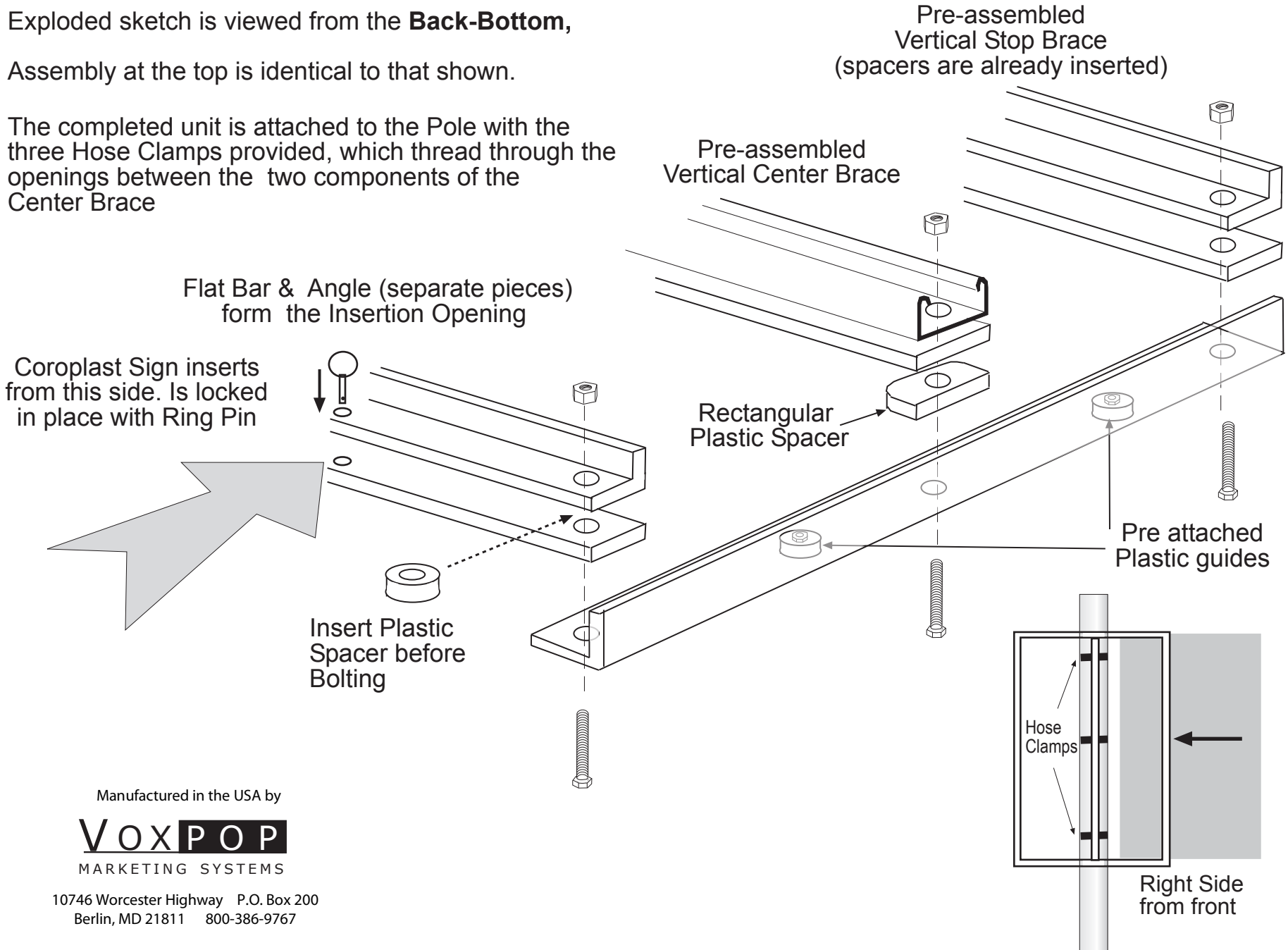
10746 Worcester Highway P.O. Box 200
Berlin, MD 21811 800-386-9767

Slide-In Coroplast Pole Mount Frame (Some components Pre-assembled)

Exploded sketch is viewed from the **Back-Bottom**,

Assembly at the top is identical to that shown.

The completed unit is attached to the Pole with the three Hose Clamps provided, which thread through the openings between the two components of the Center Brace



Manufactured in the USA by

VOXPOP
MARKETING SYSTEMS

10746 Worcester Highway P.O. Box 200
Berlin, MD 21811 800-386-9767